

53TM SERIES

STEEL TOP MOUNT WASTE CONTAINER



- Designed for full access (frameless) 18" full height base cabinets
- Works with both 5/8" and 3/4" side walls
- Double 50 qt. waste containers with a metal lid
- 90 lb. rated, 1-1/2" over-travel Grass slides
- Door mountable frame



90 lbs. rated, 1-1/2" over-travel Grass slides



Door mountable frame

PRODUCT #	DESCRIPTION	PRODUCT DIMENSIONS	FINISH	SET PER CTN	WHT PER CARTON	SUGGESTED LIST PRICE
Steel Top Mount Full Access Waste Container						
53TM-1850GSCDM2-FL	Double 50 qt. with Fixed Metal Lid	16-1/2" (419 mm) W x 21-11/16" (550 mm) D x 23" (584 mm) H	Steel	1	20 lb.	\$394.40

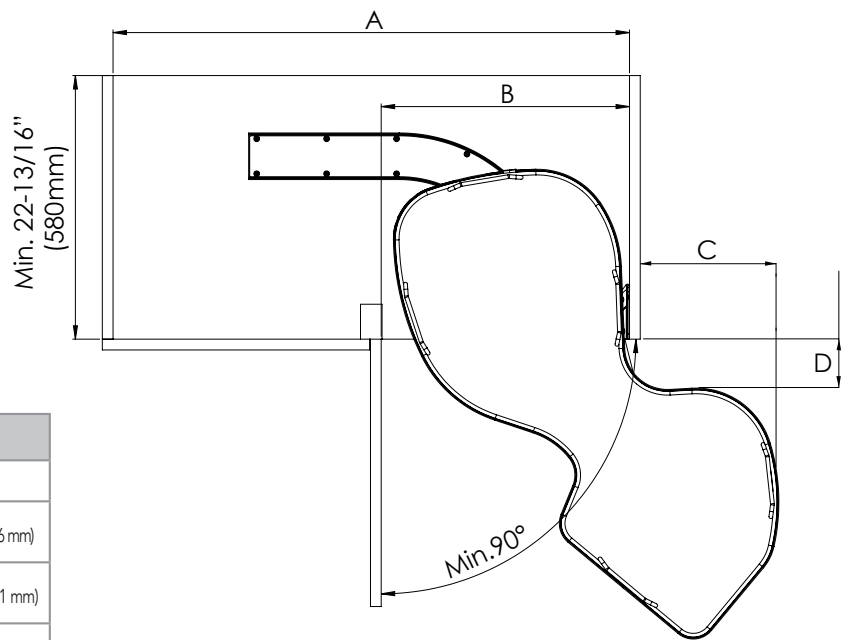
5370-XX-FOG SERIES THE CLOUD ORION GRAY CONTEMPO ORGANIZER

BLIND CORNER
ACCESSORIES

- Three sizes to accommodate full access (frameless) and face frame blind corner cabinets with 15", 18" or 21" cabinet openings
- Available in single and two-tier
- Shelves float on a bottom mount, smooth glide track system
- Full depth shelves
- Available for left and right hand blind corners
- Optional soft-close (sold separately)
- Solid bottom features a textured linen finish
- Carb II compliant



PRODUCT #	SURFACE AREA
5371-15	361 sq. in.
5371-18	471 sq. in.
5371-21	527 sq. in.
5372-15	722 sq. in.
5372-18	942 sq. in.
5372-21	1054 sq. in.



PRODUCT #	Min. Dimensions			
	A	B	C	D
5371-15/ 5372-15	34" (864 mm)	15" (381 mm)	7" (180 mm)	4-1/8" (106 mm)
5371-18/ 5372-18	38" (965 mm)	18" (457 mm)	9-3/16" (233 mm)	3-9/16" (91 mm)
5371-21/ 5372-21	40" (1016 mm)	21" (533 mm)	9-1/4" (235 mm)	3-7/8" (98 mm)



PRODUCT #	DESCRIPTION	DIMENSIONS	SET PER CTN	WHT PER CARTON	SUGGESTED LIST PRICE
"THE CLOUD" SINGLE BLIND CORNER					
FOR RIGHT DOOR/BLIND LEFT CABINETS					
5371-15-FOG-R	SINGLE-TIER FOR 15" CABINET OPENING (ORION GRAY)	33" (838 MM) W X 21 ⁷ / ₈ " (556 MM) D X 6 ¹ / ₂ " (165 MM) H	1	16 LB.	\$282.75
5371-18-FOG-R	SINGLE-TIER FOR 18" CABINET OPENING (ORION GRAY)	37 ⁷ / ₈ " (956 MM) W X 21 ¹ / ₈ " (548 MM) D X 6 ¹ / ₂ " (165 MM) H	1	19 LB.	\$289.40
5371-21-FOG-R	SINGLE-TIER FOR 21" CABINET OPENING (ORION GRAY)	39" (991 MM) W X 21 ³ / ₄ " (553 MM) D X 6 ¹ / ₂ " (165 MM) H	1	20 LB.	\$291.45
FOR LEFT DOOR/BLIND RIGHT CABINETS					
5371-15-FOG-L	SINGLE-TIER FOR 15" CABINET OPENING (ORION GRAY)	33" (838 MM) W X 21 ⁷ / ₈ " (556 MM) D X 6 ¹ / ₂ " (165 MM) H	1	16 LB.	\$282.75
5371-18-FOG-L	SINGLE-TIER FOR 18" CABINET OPENING (ORION GRAY)	37 ⁷ / ₈ " (956 MM) W X 21 ¹ / ₈ " (548 MM) D X 6 ¹ / ₂ " (165 MM) H	1	19 LB.	\$289.40
5371-21-FOG-L	SINGLE-TIER FOR 21" CABINET OPENING (ORION GRAY)	39" (991 MM) W X 21 ³ / ₄ " (553 MM) D X 6 ¹ / ₂ " (165 MM) H	1	20 LB.	\$291.45

PRODUCT #	DESCRIPTION	DIMENSIONS	SET PER CTN	WHT PER CARTON	SUGGESTED LIST PRICE
"THE CLOUD" TWO-TIER BLIND CORNER					
FOR RIGHT DOOR/BLIND LEFT CABINETS					
5372-15-FOG-R	TWO-TIER FOR 15" CABINET OPENING (ORION GRAY)	33" (838 MM) W X 21 ⁷ / ₈ " (556 MM) D X 24 ¹ / ₂ " (622 MM) H	1	45 LB.	\$669.90
5372-18-FOG-R	TWO-TIER FOR 18" CABINET OPENING (ORION GRAY)	37 ⁷ / ₈ " (956 MM) W X 21 ¹ / ₈ " (548 MM) D X 24 ¹ / ₂ " (622 MM) H	1	51 LB.	\$690.20
5372-21-FOG-R	TWO-TIER FOR 21" CABINET OPENING (ORION GRAY)	39" (991 MM) W X 21 ³ / ₄ " (553 MM) D X 24 ¹ / ₂ " (622 MM) H	1	53 LB.	\$694.55
FOR LEFT DOOR/BLIND RIGHT CABINETS					
5372-15-FOG-L	TWO-TIER FOR 15" CABINET OPENING (ORION GRAY)	33" (838 MM) W X 21 ⁷ / ₈ " (556 MM) D X 24 ¹ / ₂ " (622 MM) H	1	45 LB.	\$669.90
5372-18-FOG-L	TWO-TIER FOR 18" CABINET OPENING (ORION GRAY)	37 ⁷ / ₈ " (956 MM) W X 21 ¹ / ₈ " (548 MM) D X 24 ¹ / ₂ " (622 MM) H	1	51 LB.	\$690.20
5372-21-FOG-L	TWO-TIER FOR 21" CABINET OPENING (ORION GRAY)	39" (991 MM) W X 21 ³ / ₄ " (553 MM) D X 24 ¹ / ₂ " (622 MM) H	1	53 LB.	\$694.55

PRODUCT #	DESCRIPTION	SUGGESTED LIST PRICE
"THE CLOUD" SOFT-CLOSE KIT		
5371-SC-KIT-1	SOFT-CLOSE KIT (SINGLE TRAY)	\$55.95
5372-SC-KIT-2	SOFT-CLOSE KIT FOR TWO-TIER	\$125.30

NOTES: Weight capacity of 45 lb. per shelf.

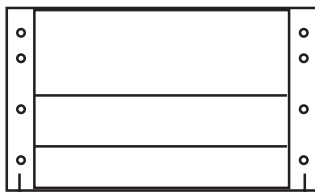


5349 SERIES

DOOR MOUNT WASTE CONTAINERS

- Available in single 32, 35 and 50 qt. and double 27, 32, 35, and 50 qt. waste containers
- Stainless steel bins are available
- Features heavy duty brushed aluminum soft-closing slides rated for a maximum of 85 lbs.
- Extremely stable
- Includes a fully adjustable (10" high) door mount frame
- Single waste containers feature a built-in storage area for bags
- See page 34 for lids
- See page 68 for replacement containers

HOLE SPREAD DIMENSIONS



SINGLE 32, 35, & 50 QT
 ← 9-7/8" →
 (251 mm)

DOUBLE 27 QT
 ← 10-3/4" →
 (273 mm)

DOUBLE 32, 35, & 50 QT
 ← 13-7/8" →
 (353 mm)



5349-15DM18-1



Lids sold separately

5349-18DM-217
 METALLIC SILVER



Now available with our new compost bin! Single or double configurations!



5349-18CP-2



5349-CP-1

544 SERIES

UNDER SINK CLEANING CADDY

- Store multiple cleaning items in this removable caddy
- Unique handle adjusts to accommodate plumbing fixtures
- Reversible/removable top tray



Adjustable handle that slides horizontally and a reversible/removable top tray to accommodate plumbing fixtures



Removable caddy allows you to take cleaning items with you and the added bottom bumpers provide stability and protect surfaces from marring

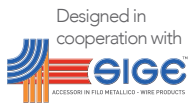
SINK
ACCESSORIES

PRODUCT #	DESCRIPTION	DIMENSIONS	FINISH	SET PER CTN	WHT PER CARTON	SUGGESTED LIST PRICE
544-10C-1	Under Sink Chrome Basket (Individual Pack)	11¼" (286 mm) W x 16¼" (413 mm) D x 19½" (498 mm) H	Chrome	1	4.5 lb.	\$85.40

5386 SERIES

SOLID BOTTOM U-SHAPED WIRE BASKET

- Designed for face frame or full access (frameless) 33" and 36" sink base cabinets
- Pullout shelves available in maple or gray solid bottoms
- Blum full-extension, soft-close slides
- Both side and bottom mounting brackets included
- Door mounting brackets included
- Carb II compliant



Features Soft-Close full-extension slides



Maple finish



Bottom or Side Mounted

PRODUCT #	DESCRIPTION	DIMENSIONS	FINISH	SET PER CTN	WHT PER CARTON	SUGGESTED LIST PRICE
Pullout U-Shaped Wire Basket (Individual Pack)						
5386-30BCSC-**	Solid Bottom U-Shaped Basket for 33" Sink Base Cabinet	29½" (746 mm) - 31¾" (807 mm) W x 22" (557 mm) D x 5¼" (132 mm) H	Chrome	1	15 lb.	\$437.20
5386-33BCSC-**	Solid Bottom U-Shaped Basket for 36" Sink Base Cabinet	32½" (822 mm) - 34¾" (883 mm) W x 22" (557 mm) D x 5¼" (132 mm) H	Chrome	1	16.5 lb.	\$448.50

** select "MP" for Maple Shelf or "GR" for Gray Shelf

SINK ACCESSORIES

5786 SERIES PULLOUT U-SHAPED WIRE BASKET

- Comes in two sizes to accommodate 33" and 36" sink base cabinets
- Features soft-close, full-extension slides
- Bottom and side mount brackets included
- Unique u-shaped frame fits around the peskiest of pipes
- Provides easy access to stored items

SINK
ACCESSORIES



CONTAINS ONE BASKET, TWO UNITS SHOWN



Side Mounted



Features Soft-Close
full-extension slides



Door mount brackets included

PRODUCT #	DESCRIPTION	DIMENSIONS	FINISH	SET PER CTN	WHT PER CARTON	SUGGESTED LIST PRICE
Pullout U-Shaped Wire Basket (Individual Pack)						
5786-30CR	Under sink Pull Out w/ Soft-Close	29½" (746 mm) - 31¾" (807 mm) W x 22" (557 mm) D x 5¼" (132 mm) H	Chrome	1	15 lb.	\$239.10
5786-33CR	Under sink Pull Out w/ Soft-Close	32½" (822 mm) - 34¾" (883 mm) W x 22" (557 mm) D x 5¼" (132 mm) H	Chrome	1	16.5 lb.	\$248.10

5WB SERIES

SINGLE CHROME BASKETS

- Available in 18", 20" and 22" slides
- Features full-extension, ball-bearing slides
- Heavy duty chrome plated frames
- Ideal for organizing pots, pans and other bulky items



BASE CABINET ACCESSORIES



Slide units install easily with four screws!



PRODUCT #	DESCRIPTION	DIMENSIONS	MINIMUM OPENING	FINISH	SET PER CTN	WHT PER CARTON	SUGGESTED LIST PRICE
Single Chrome Pullout Basket (Individual Pack)							
5WB1-0918-CR	9" Single Pullout Wire Basket	8 $\frac{3}{8}$ " (213 mm) W x 18" (457 mm) D x 7" (178 mm) H	8 $\frac{1}{2}$ " (216 mm)	Chrome	1	7.7 lb.	\$53.65
5WB1-1218-CR	12" Single Pullout Wire Basket	11 $\frac{3}{8}$ " (289 mm) W x 18" (457 mm) D x 7" (178 mm) H	11 $\frac{1}{2}$ " (292 mm)	Chrome	1	8.8 lb.	\$57.70
5WB1-1220-CR	12" Single Pullout Wire Basket	11 $\frac{3}{8}$ " (289 mm) W x 20" (508 mm) D x 7" (178 mm) H	11 $\frac{1}{2}$ " (292 mm)	Chrome	1	9.5 lb.	\$65.85
5WB1-1520-CR	15" Single Pullout Wire Basket	14 $\frac{3}{8}$ " (365 mm) W x 20" (508 mm) D x 7" (178 mm) H	14 $\frac{1}{2}$ " (368 mm)	Chrome	1	10.7 lb.	\$73.65
5WB1-1222-CR	12" Single Pullout Wire Basket	11 $\frac{3}{8}$ " (289 mm) W x 21 $\frac{1}{8}$ " (550 mm) D x 7" (178 mm) H	11 $\frac{1}{2}$ " (292 mm)	Chrome	1	9.9 lb.	\$71.50
5WB1-1522-CR	15" Single Pullout Wire Basket	14 $\frac{3}{8}$ " (365 mm) W x 21 $\frac{1}{8}$ " (550 mm) D x 7" (178 mm) H	14 $\frac{1}{2}$ " (368 mm)	Chrome	1	11.2 lb.	\$79.60
5WB1-1822-CR	18" Single Pullout Wire Basket	17 $\frac{3}{8}$ " (441 mm) W x 21 $\frac{1}{8}$ " (550 mm) D x 7" (178 mm) H	17 $\frac{1}{2}$ " (445 mm)	Chrome	1	12.4 lb.	\$86.15
5WB1-2122-CR	21" Single Pullout Wire Basket	20 $\frac{3}{8}$ " (518 mm) W x 21 $\frac{1}{8}$ " (550 mm) D x 7" (178 mm) H	20 $\frac{1}{2}$ " (521 mm)	Chrome	1	13.9 lb.	\$95.25
5WB-DMKIT	Door Mount Kit			Silver	1	3 lb.	\$32.75

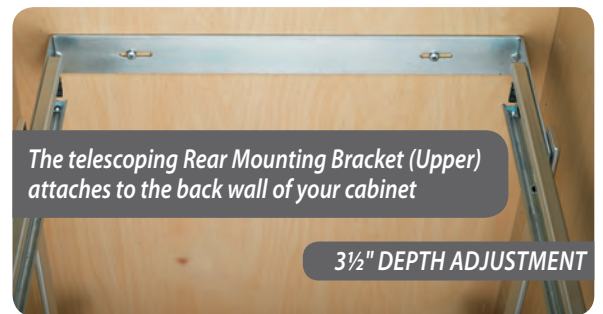
CONTAINS: (1) Wire Basket, full-extension slides - 100 lb. weight rating

NOTES: Comes fully assembled and installs with four screws.

5WB SERIES

TWO-TIER CHROME BASKETS

- Features full-extension, ball-bearing slides
- Heavy duty chrome plated baskets
- Simple installation
- Telescoping rear mounting bracket
- Features u-shaped support bracket
- Can be rear, side and bottom mounted



BASE CABINET
ACCESSORIES

PRODUCT #	DESCRIPTION	DIMENSIONS	MINIMUM OPENING	FINISH	SET PER CTN	WHT PER CARTON	SUGGESTED LIST PRICE
Two-TierChrome Pullout Basket (Individual Pack)							
5WB2-0918-CR	9" Two-Tier Pullout Wire Basket	8 3/4" (222 mm) W x 18" (457 mm) D x 19" (483 mm) H	8 1/2" (216 mm)	Chrome	1	15.2 lb.	\$120.65
5WB2-1218-CR	12" Two-Tier Pullout Wire Basket	11 3/4" (299 mm) W x 18" (457 mm) D x 19" (483 mm) H	11 1/2" (292 mm)	Chrome	1	17.2 lb.	\$133.25
5WB2-1222-CR	12" Two-Tier Pullout Wire Basket	11 3/4" (299 mm) W x 21 1/16" (550 mm) D x 19" (483 mm) H	11 1/2" (292 mm)	Chrome	1	18.9 lb.	\$149.20
5WB2-1522-CR	15" Two-Tier Pullout Wire Basket	14 3/4" (375 mm) W x 21 1/16" (550 mm) D x 19" (483 mm) H	14 1/2" (368 mm)	Chrome	1	20.9 lb.	\$152.55
5WB2-1822-CR	18" Two-Tier Pullout Wire Basket	17 3/4" (451 mm) W x 21 1/16" (550 mm) D x 19" (483 mm) H	17 1/2" (445 mm)	Chrome	1	22.9 lb.	\$165.75
5WB2-2122-CR	21" Two-Tier Pullout Wire Basket	20 3/4" (527 mm) W x 21 1/16" (550 mm) D x 19" (483 mm) H	20 1/2" (521 mm)	Chrome	1	25.1 lb.	\$179.35
5WB-DMKIT	Door Mount Kit			Silver	1	3 lb.	\$32.75

CONTAINS: (2) Wire Baskets, (2 pair) full-extension slides - 100 lb. weight rating, (2) U-Brackets, (1) Adjustable Rear Mounting Bracket

NOTES: Easy assembly, installs with seven screws.

5CW2 SERIES TWO-TIER COOKWARE ORGANIZER

- Designed for base 15" or 24" cabinets
- Glides effortlessly on 100 lb. rated full-extension, ball-bearing slides
- Features independently operating shelves that accommodate a variety of cookware sizes and brands
- Top tier organizes lids
- Bottom tier features adjustable dividers to store a variety of larger pots and pans
- Made with a heavy duty chrome plated wire frame
- Bottom, side, and rear mounts (US PATENT NO: D588,415)



5CW2-2122-CR



5CW2-1222-CR



5CW2-2122-CR

PRODUCT #	DESCRIPTION	DIMENSIONS	MINIMUM OPENING	FINISH	SET PER CTN	WHT PER CARTON	SUGGESTED LIST PRICE
Two-Tier Cookware Organizer (Individual Pack)							
5CW2-1222-CR	12" Two-Tier Cookware Organizer	11¾" (299 mm) W x 22" (559 mm) D x 18" (457 mm) H	11½" (292 mm)	Chrome	1	21 lb.	\$158.20
5CW2-2122-CR	21" Two-Tier Cookware Organizer	20¾" (527 mm) W x 22" (559 mm) D x 18½" (460 mm) H	20½" (521 mm)	Chrome	1	26 lb.	\$288.40
RV DM17 KIT	Heavy Duty Door Mount Kit (Includes Euro Adapter Kit)			Silver	1	3 lb.	\$33.50
Two-Tier Cookware Organizer Soft-Close							
5CW2-1222SC-CR	12" Two-Tier Cookware Organizer	11¾" (299 mm) W x 22" (559 mm) D x 18" (457 mm) H	11½" (292 mm)	Chrome	1	21 lb.	\$182.00
5CW2-2122SC-CR	21" Two-Tier Cookware Organizer	20¾" (527 mm) W x 22" (559 mm) D x 18½" (460 mm) H	20½" (521 mm)	Chrome	1	26 lb.	\$331.60

CONTAINS: (2 pair) full-extension slides - 100 lb. weight rating, (2) U-Brackets, (2) Back Mounting Brackets (attached to slides)
NOTES: Easy assembly, installs with seven screws.



4DMCB SERIES

DOOR MOUNT CUTTING BOARD

- Brackets provide installation flexibility up to 5"
- Maple hardwood cutting board
- Mineral oil treated
- Support racks are coated with a UV cured clear finish

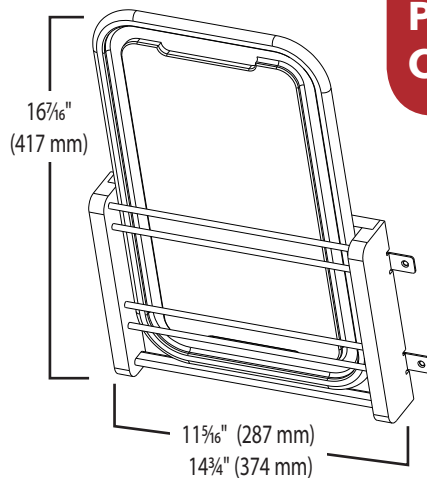
4DMCB-15	WIDTH	DEPTH	HEIGHT
Mount Rack	10½" (267 mm)	2⅞" (73 mm)	8" (203 mm)
Cutting Board	7¾" (197 mm)	1¼" (32 mm)	16" (407 mm)

4DMCB-18	WIDTH	DEPTH	HEIGHT
Mount Rack	13½" (343 mm)	2⅞" (73 mm)	8" (203 mm)
Cutting Board	10¾" (273 mm)	1¼" (32 mm)	16" (407 mm)

PRODUCT #	DESCRIPTION	DIMENSIONS	MINIMUM OPENING	FINISH	SET PER CTN	WHT PER CARTON	SUGGESTED LIST PRICE
Door Mount Cutting Board (Individual Pack)							
4DMCB-15	Base 15" Door Mount Cutting Board	10½" (267 mm) W x 2⅞" (73 mm) D x 16⅞" (429 mm) H	10⅞" (276 mm)	Wood	1	7 lb.	\$79.15
4DMCB-18	Base 18" Door Mount Cutting Board	13½" (343 mm) W x 2⅞" (73 mm) D x 16⅞" (429 mm) H	13⅞" (353 mm)	Wood	1	10 lb.	\$89.45

CONTAINS: Door Rack, Cutting Board and Screws. **NOTE:** Mounting brackets add up to 5" (128 mm) of adjustability, 2½" (64 mm) to each side.

BASE CABINET ACCESSORIES



4DMCB SERIES

DOOR MOUNT POLYETHYLENE CUTTING BOARD

- Brackets provide installation flexibility up to 5"
- Features the patented adjustable door mount brackets (US Patent No. 7,204,569)
- Includes polyethylene cutting board
- Carb II compliant

PRODUCT #	DESCRIPTION	DIMENSIONS	MINIMUM OPENING	FINISH	SET PER CTN	WHT PER CARTON	SUGGESTED LIST PRICE
Door Mount Polyethylene Cutting Board (Individual Pack)							
4DMCB-15P	Door Mount Polyethylene Cutting Board	11⅞" (287 mm) W x 2" (51 mm) D x 16⅞" (417 mm) H	12" (304 mm)	Wood	1	6 lb.	\$71.75
4DMCB-18P	Door Mount Polyethylene Cutting Board	14¾" (374 mm) W x 2" (51 mm) D x 16⅞" (417 mm) H	15¼" (387 mm)	Wood	1	9 lb.	\$90.65

CONTAINS: (1) door mount cutting board, (4) AMB (Adjustable Mounting Brackets) and (4) screws (US PATENT NO: 7,204,569).

432 SERIES

BASE CABINET FILLERS

- Available for 3", 6" and 9" base filler applications
- Full-extension, ball-bearing slides
- Three slide design provides stability
- Create a functional storage space behind those decorative panels
- Features adjustable shelves with chrome rails
- Carb II compliant

See page 218 for wall cabinet version
See page 126 for soft-close version

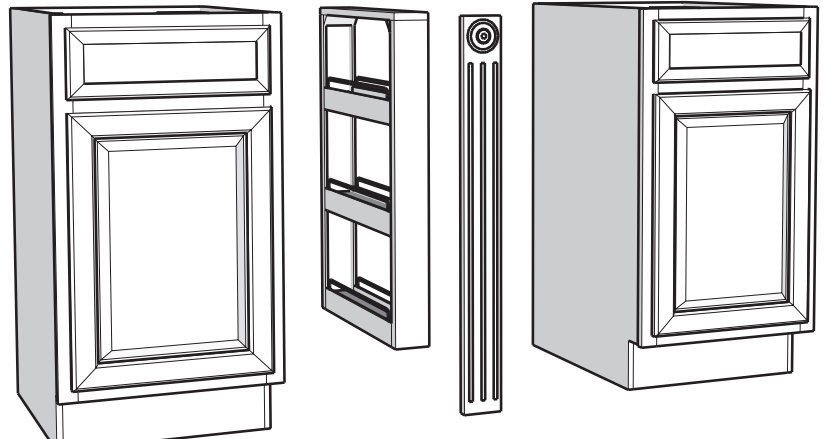


432-BF-3C

BASE CABINET ACCESSORIES



432-BF-9C



Installation is easy! Simply attach the organizer to adjacent cabinets and add a filler front and decorative onlay for a completely functional storage pullout.

PRODUCT #	DESCRIPTION	DIMENSIONS	FINISH	SET PER CTN	WHT PER CARTON	SUGGESTED LIST PRICE
Base Filler Organizer (Individual Pack)						
432-BF-3C	3" Filler Organizer	3" (76 mm) W x 23" (584 mm) D x 30" (762 mm) H	Wood	1	21 lb.	\$160.65
432-BF-6C	6" Filler Organizer	6" (152 mm) W x 23" (584 mm) D x 30" (762 mm) H	Wood	1	33 lb.	\$193.45
432-BF-9C	9" Filler Organizer	9" (229 mm) W x 23" (584 mm) D x 30" (762 mm) H	Wood	1	47 lb.	\$263.75

CONTAINS:

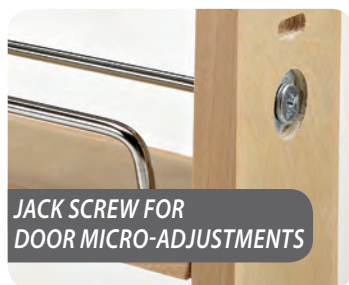
(1) Completely assembled organizer with full-extension slides and adjustable shelves. 9" - 150 lb. weight rated slides 3", 6" - 100 lb. weight rated slides

432-BFBBSC SERIES SOFT-CLOSE BASE CABINET FILLERS

- Available for 3", 6" and 9" base filler applications
- Full-extension soft-close, ball-bearing slides
- Three slide design provides stability for 6" filler
- Features adjustable shelves with chrome rails
- Create a functional storage space behind decorative panels
- Carb II compliant

See page 125 for non soft-close version

BASE CABINET
ACCESSORIES



JACK SCREW FOR
DOOR MICRO-ADJUSTMENTS



PRODUCT #	DESCRIPTION	DIMENSIONS	FINISH	SET PER CTN	WHT PER CARTON	SUGGESTED LIST PRICE
Soft-Close Base Filler Organizer (Individual Pack)						
432-BFBBSC-3C	3" Filler Organizer with Soft-Close	3" (76 mm) W x 23" (584 mm) D x 30" (762 mm) H	Wood	1	21 lb.	\$205.60
432-BFBBSC-6C	6" Filler Organizer with Soft-Close	6" (152 mm) W x 23" (584 mm) D x 30" (762 mm) H	Wood	1	33 lb.	\$245.80

CONTAINS:

(1) Completely assembled organizer with full-extension slides and adjustable shelves. 100 lb. weight rated slides

448 SERIES

PULL-OUT BASE ORGANIZER

All Units:

- Door mounting is easy with our patented door mount brackets (US PATENT NO: 8,388,076)
- Brackets provide 5" of adjustability
- Adjustable shelves with chrome rails
- Constructed from maple with a UV clear coat finish
- Carb II compliant

Soft-Close Units:

- Designed for 9" and 12" full height face frame base cabinets
- Soft-close, ball-bearing slides
- Includes adjustable rub bushings

Ball-Bearing Units:

- Designed for 9", 12" and 15" full height face frame base cabinets, and 9" full height frameless cabinets
- Feature our patented "tri-slides" which minimize any side-to-side motion (US Patent No. 7,306,301)

See page 220 for wall version



448-BCBSC-8C

BASE CABINET ACCESSORIES

PRODUCT #	DESCRIPTION	DIMENSIONS	FINISH	SET PER CTN	WHT PER CARTON	SUGGESTED LIST PRICE
Soft-Close Base Organizer (Individual Pack)						
448-BCBBSC-5C	Base Organizer with Soft-Close	5¼" (134 mm) W x 21¾" (553 mm) D x 25½"-29½" (648-750 mm) H	Wood	1	25 lb.	\$249.70
448-BCBSC-8C	Base Organizer with Soft-Close	8" (203 mm) W x 21¾" (553 mm) D x 25½"-29½" (648-750 mm) H	Wood	1	32 lb.	\$265.20
448-08SC-SRI-1	Spice Rack for Above	7" (178 mm) W x 19½" (534 mm) D x 4⅞" (124 mm) H	Wood	1	4 lb.	\$73.10

PRODUCT #	DESCRIPTION	DIMENSIONS	FINISH	SET PER CTN	WHT PER CARTON	SUGGESTED LIST PRICE
Base Organizer (Individual Pack)						
448-BC-5C	Base Organizer	See Detailed Specifications on Opposite Page	Wood	1	20 lb.	\$187.80
448-BC19SC-5C	Base Organizer (19" Depth)	5" (127 mm) W x 19" (483 mm) D x 25½" (647 mm) H	Wood	1	30 lb.	\$299.70
448-BC-6C	Frameless Organizer	See Detailed Specifications on Opposite Page	Wood	1	34 lb.	\$190.95
448-BC-8C	Base Organizer	See Detailed Specifications on Opposite Page	Wood	1	24 lb.	\$215.60
448-SR8-1	Spice Rack for Above	7" (178 mm) W x 21" (534 mm) D x 4⅞" (124 mm) H	Wood	1	5 lb.	\$44.50
448-BC19SC-8C	Base Organizer (19" Depth)	8" (203 mm) W x 19" (483 mm) D x 25½" (647 mm) H	Wood	1	29 lb.	\$390.35
448-BC-11C	Base Organizer	See Detailed Specifications on Opposite Page	Wood	1	41 lb.	\$331.05
448-SR11-1	Spice Rack for Above	10" (254 mm) W x 21" (534 mm) D x 4⅞" (124 mm) H	Wood	1	6 lb.	\$84.10
448-BC-14C	Base Organizer	See Detailed Specifications on Opposite Page	Wood	1	40.5 lb.	\$392.35
IDRB-1	Adjustable Rub Bushing for Inset Applications		Metal	1	1 lb.	\$12.65

CONTAINS: (1) Pullout shelving system, 3 adjustable shelves with chrome rails, full-extension tri-slides, rub bushings. 11", 14" - 150 lb. weight-rated slides 5", 6", 8" - 100 lb. weight rated slides

NOTE: Full height door base cabinet required. (US PATENT NO: 8,388,076; 7,306,301)

447 SERIES

TRAY DIVIDER/FOIL WRAP HOLDER

- Designed for 9" and 12" base cabinets
- Featuring full-extension, BLUMOTION soft-close slides
- Door mounting is easy with our patented door mount brackets (US Patent No. 8,388,076)
- Brackets provide 5" of adjustability
- Includes removable center divider
- Includes T-Bar divider for taller items

Carb II compliant

BASE CABINET ACCESSORIES



PRODUCT #	DESCRIPTION	DIMENSIONS	FINISH	SET PER CTN	WHT PER CARTON	SUGGESTED LIST PRICE
Foil Wrap Holder with Blum Soft-Close (Individual Pack)						
447-BCSC-5C	5" Foil Wrap Holder/Tray Divider w/ Blum Soft-Close	5½" (140 mm) W x 21½" (546 mm) D x 19½" (495 mm) H	Wood	1	20 lb.	\$285.65
447-BCSC-8C	8" Foil Wrap Holder/Tray Divider w/ Blum Soft-Close	8" (203 mm) W x 21½" (546 mm) D x 19½" (495 mm) H	Wood	1	26 lb.	\$326.55

432 SERIES

TALL FILLER ORGANIZERS

- Available for 6" applications, this filler comes in 39" and 45" heights
- Can be used alone or in conjunction with others to reach 84", 90", or 96" heights
- Adjustable shelves:
 - Five for the 39" model
 - Six for the 45" model
- 150 lb. full-extension, ball-bearing slides
- Features three-slide design that provides for the most stable function on the market
- Carb II compliant



INCLUDED MENDING PLATES SECURELY FASTENS THE FRAMES OF 2 FILLERS.

TALL AND PANTRY ACCESSORIES

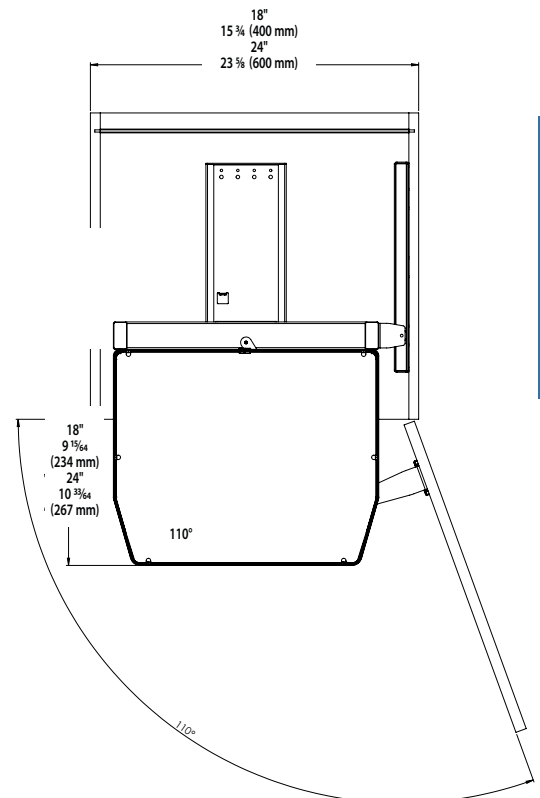
PRODUCT #	DESCRIPTION	PRODUCT DIMENSIONS	FINISH	SET PER CTN	WHT PER CARTON	SUGGESTED LIST PRICE
Tall Filler Organizers (Individual Pack)						
432-TF39-6C	39" Tall Filler Organizer	6" (153 mm) W x 23" (584 mm) D x 38½" (978 mm) H	Wood	1	42 lb.	\$ 373.50
432-TF45-6C	45" Tall Filler Organizer	6" (153 mm) W x 23" (584 mm) D x 44½" (1130 mm) H	Wood	1	46 lb.	\$ 402.50



5300-FOG SERIES

FLAT WIRE SWING OUT PANTRY

- Designed for full access (frameless) 18" and 24" width pantry cabinets
- Overall height 74"
- Two door mounting brackets
- Five easy-to-adjust shelves
- Solid bottom shelves with textured linen finish
- Swing out hardware allows complete access to pantry
- Orion gray finish and flat wire construction
- Carb II compliant



TALL AND PANTRY ACCESSORIES

PRODUCT #	DESCRIPTION	PRODUCT DIMENSIONS	FINISH	SET PER CTN	WHT PER CARTON	SUGGESTED LIST PRICE
Wood Swing Out Kits and Components (Individual Pack)						
5374-18FL-FOG	Swing Out Pantry for 18" Pantry	14 $\frac{1}{4}$ " (360 mm) W x 18 $\frac{1}{2}$ " (470 mm) D x 74 $\frac{1}{8}$ " (1881 mm) H	Orion Gray	1	55.5 lb.	\$1,171.60
5374-24FL-FOG	Swing Out Pantry for 24" Pantry	22 $\frac{1}{8}$ " (560 mm) W x 18 $\frac{1}{2}$ " (470 mm) D x 74 $\frac{1}{8}$ " (1881 mm) H	Orion Gray	1	75.5 lb.	\$1,221.90

BDC SERIES

BREAD DRAWER COVER

- Available in two sizes
- Available in white, almond or translucent finishes
- Trimmable
- Features a one-piece cover with molded in handle and rear stop
- Adjustable sliding rails, and mounting screws
- Carb II compliant



PRODUCT #	DESCRIPTION	PRODUCT DIMENSIONS	MINIMUM CUT SIZE	FINISH	SET PER CTN	WHT PER CARTON	SUGGESTED LIST PRICE
Bread Drawer Cover (Individual Pack)							
BDC-200-**	Bread Drawer Cover Kit	16¾" (426 mm) W x 21¾" (553 mm) L	11½" (295 mm) x Any Length	Polymer	1	3 lb.	\$32.20
BDC-200-20	BDC Kit—Translucent w/Clear Rails	16¾" (426 mm) W x 21¾" (553 mm) L	11½" (295 mm) x Any Length	Polymer	1	3 lb.	\$56.70
Bread Drawer Cover (Individual Pack)							
BDC24-**	BDC Kit—White, Almond	20½" (511 mm) W x 21¾" (553 mm) L	16½" (408 mm) x Any Length	Polymer	1	3 lb.	\$33.95
BDC24-20	BDC Kit—Translucent w/Clear Rails	20½" (511 mm) W x 21¾" (553 mm) L	16½" (408 mm) x Any Length	Polymer	1	3 lb.	\$57.15
F-Channel Rail Kit							
CDR-21W-A	Extra White Rails			Polymer	1	2 lb.	\$16.25
CDR-21A-A	Extra Almond Rails			Polymer	1	2 lb.	\$16.25
CDR-21C-A	Extra Clear Rails			Polymer	1	2 lb.	\$23.20

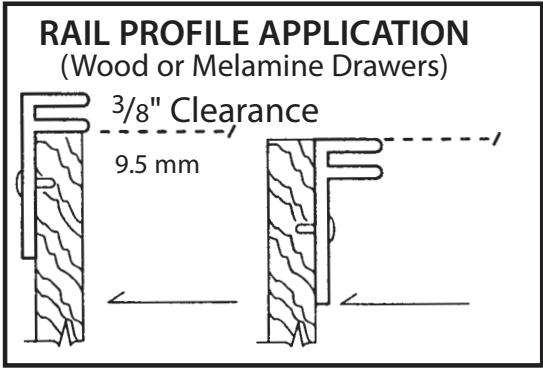
NOTES: All BDC Kits includes (1) cover, (1) pair rails, and screws. Cover is textured to hide scratches. * Product available in three colors: (11) White, (15) Almond, and (20) Clear (for an additional cost). These bread drawer covers can be ordered custom cut to your drawer specifications. Contact Customer Service with your inside drawer dimensions and we will do the rest. Cut-to-size charges will vary.



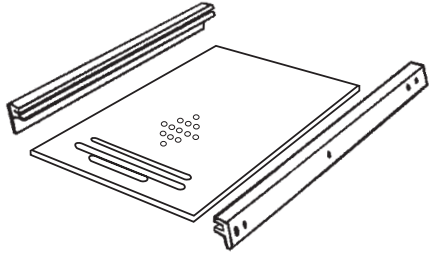
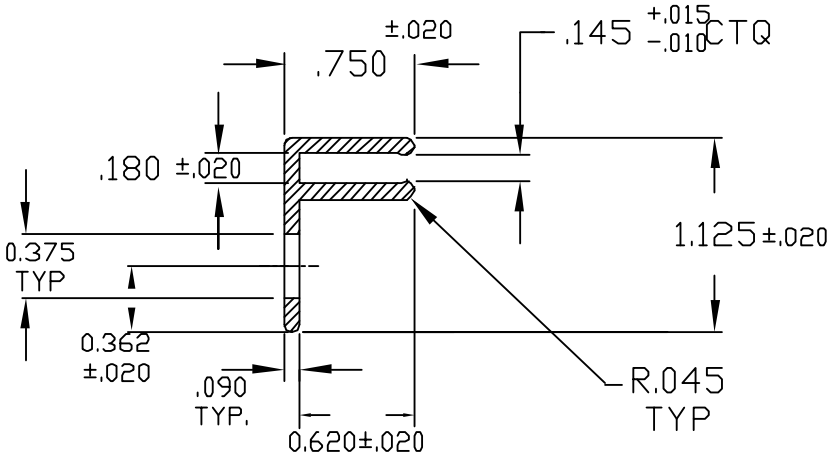
TRANSLUCENT



WHITE (ALSO AVAILABLE IN ALMOND)



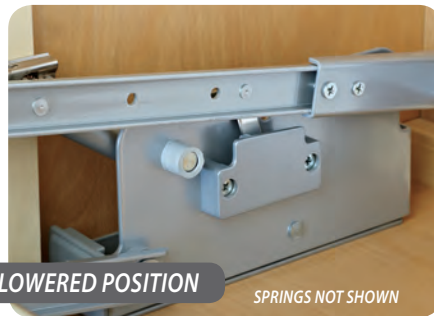
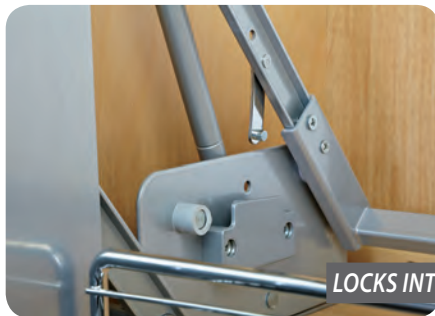
Rails can be ordered for Special Applications also:
CDR-21-*-A
 (One Pair of Rails w/screws)
 *W=White and A=Almond
CDR-21-C-A CLEAR RAILS
 Clear Rails come packaged with all (-20) translucent covers



DRAWER ACCESSORIES

5PD SERIES PREMIERE PULL-DOWN SHELVING SYSTEM

- Available for wall 24" and 36" cabinets
- Brings items down 11-1/2" while pulling out 16-3/4" from the cabinet
- Features a unique gas assisted lifting/lowering mechanism
- Chrome-plated, two-tier, pull-down shelf
- Locks into the down position for hands free accessibility
- Includes both side and bottom mount brackets
- Pre-assembled baskets for easy installation

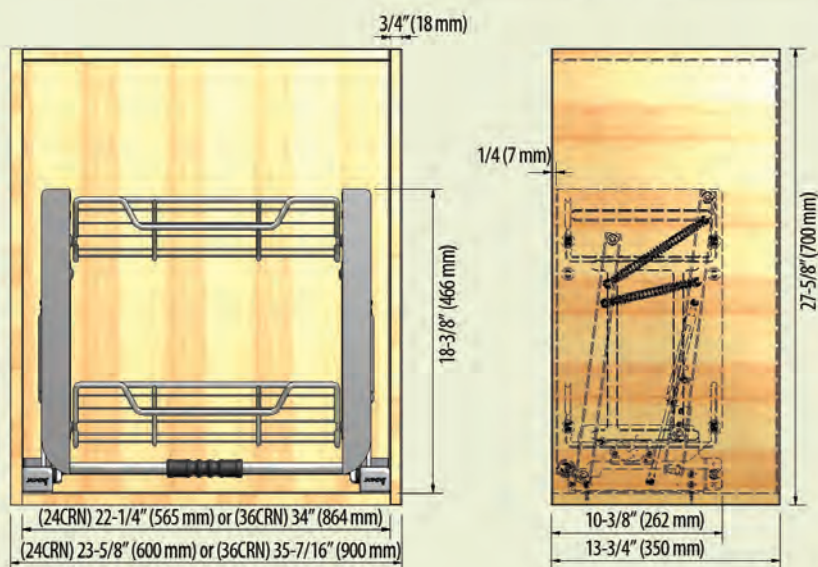
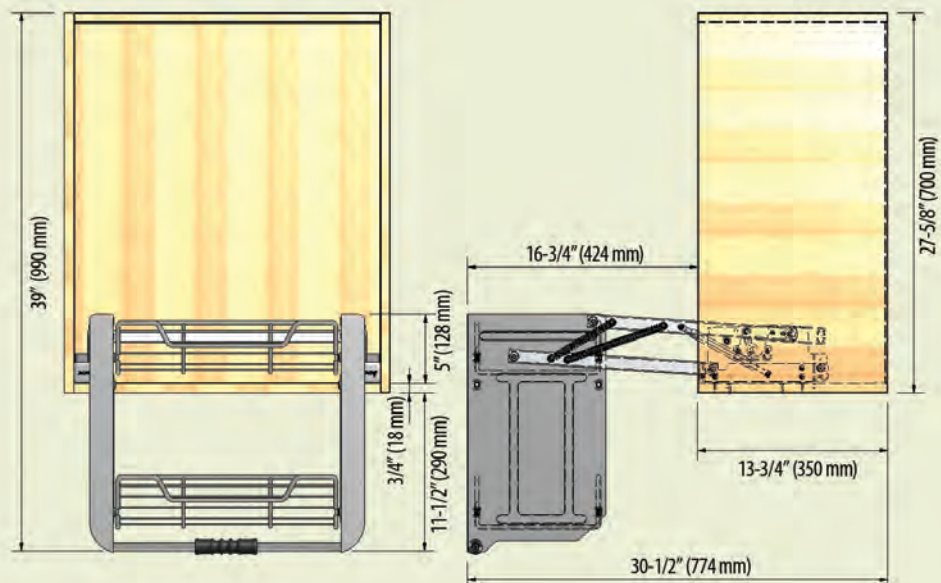


LOCKS INTO LOWERED POSITION

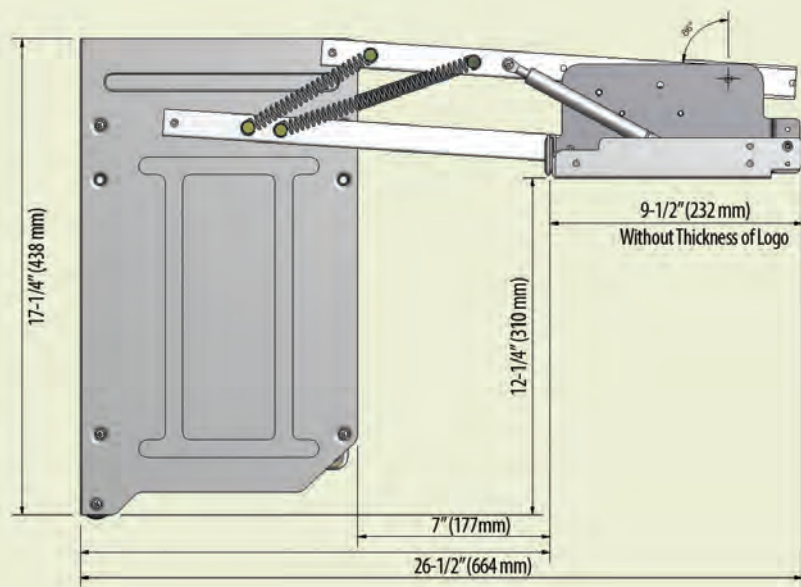
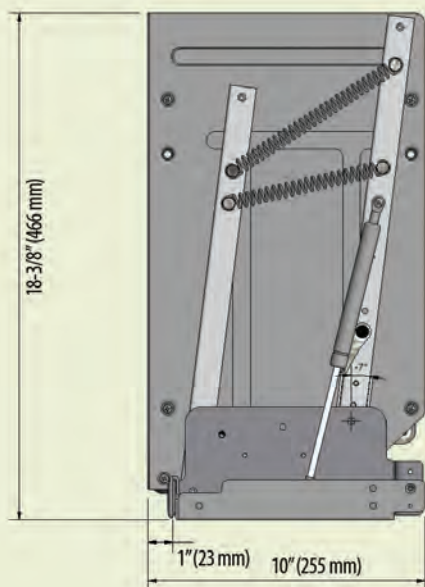
SPRINGS NOT SHOWN

PRODUCT #	DESCRIPTION	PRODUCT DIMENSIONS	FINISH	SET PER CTN	WHT PER CARTON	SUGGESTED LIST PRICE
Pull-Down Shelving System (Individual Pack)						
5PD-24CRN	Pull-Down Shelving System	See Drawings on Opposite Page	Metal/Chrome	1	23 lb.	\$490.10
5PD-36CRN	Pull-Down Shelving System	See Drawings on Opposite Page	Metal/Chrome	1	27 lb.	\$519.10

CONTAINS: (1) shelving unit, mounting brackets, screws and instructions
WEIGHT CAPACITY: 5PD-24CRN: 17 lb., 5PD-36CRN: 26 lb.



Minimum Opening	
SPD-24CRN	21" (534 mm)
SPD-36CRN	33" (838 mm)



5UPD SERIES

UNIVERSAL PULL-DOWN

- Available for wall 24" cabinet
- Features a unique gas assisted lifting/lowering mechanism
- Locks into the down position for hands free accessibility
- Includes drop-in dividers and scalloped inserts
- Features acrylic storage bins
- Includes both side and bottom mount brackets



For video visit:
rev-a-shelf.com/videos



UNIVERSAL
pull-down

MEDICAL SUPPLIES



BEVERAGES



SPICES



PET

PRODUCT #	DESCRIPTION	PRODUCT DIMENSIONS	FINISH	SET PER CTN	WHT PER CARTON	SUGGESTED LIST PRICE
Universal Pull-Down Shelving System (Individual Pack)						
5UPD-24CRN	Universal Pull-Down	22¼" (566 mm) W x 10½" (267 mm) D x 21½" (547 mm) H	Metal/Chrome	1	42 lb.	\$874.95

CONTAINS: (1) Universal Pull-Down with removable acrylic bins, dividers, scallops, and drawer liners. Pre-printed and blank labels also included.
 WEIGHT CAPACITY: 13 lb.



SCALLOPED INSERTS FOR MEDICAL AND SPICE BOTTLE STORAGE



REMOVABLE ACRYLIC BINS



PRE-PRINTED AND CUSTOMIZABLE LABELS



SIDE MOUNTED



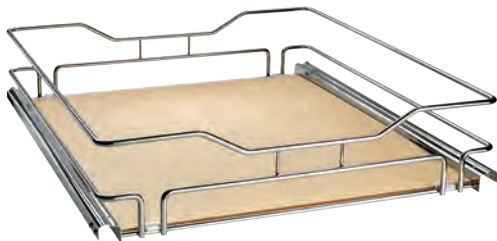
BOTTOM MOUNTED

FOR DETAILED SPECS SEE NEXT PAGE

5200 MP SERIES

SOFT-CLOSE PULLOUT PANTRY

- Available in three heights and two widths
- Feature adjustable maple shelves with Stylinox™, an anti-skid transparent coating
- 250 lb. rated, soft-closing slide
- Door mountable
- Kit packaged
- Carb II compliant
- See page 156 for base version



TALL AND PANTRY
ACCESSORIES



COMPAGNUCCI
QUALITY MADE IN ITALY

447 SERIES

TRAY DIVIDER/FOIL WRAP HOLDER

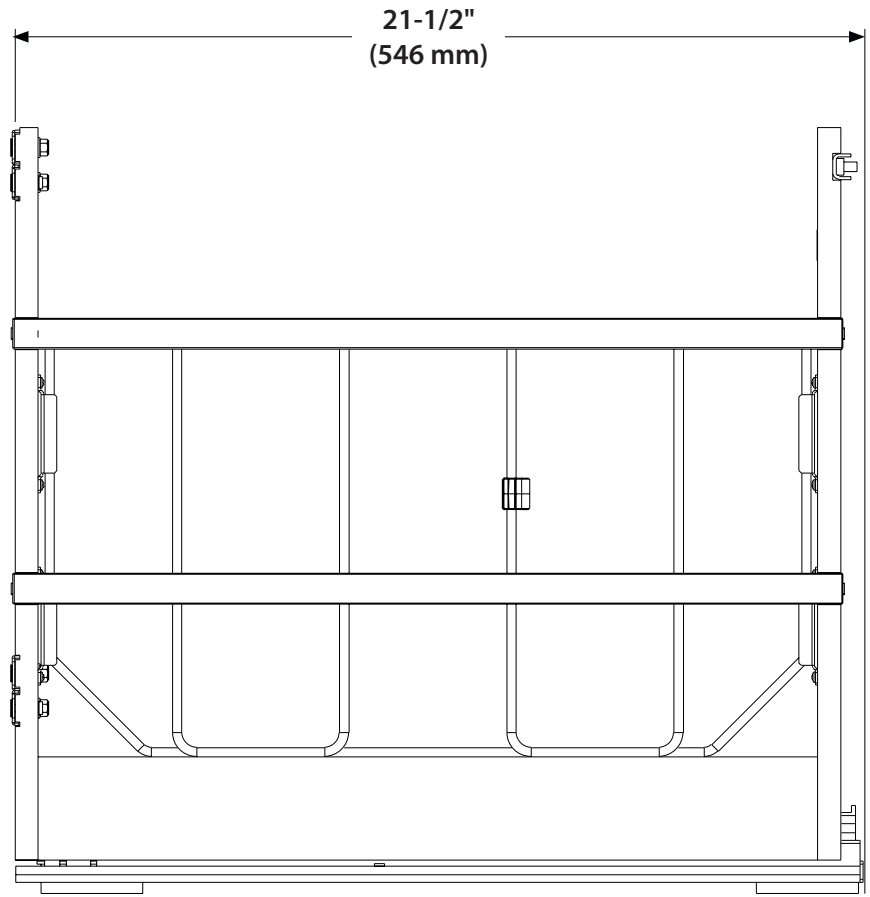
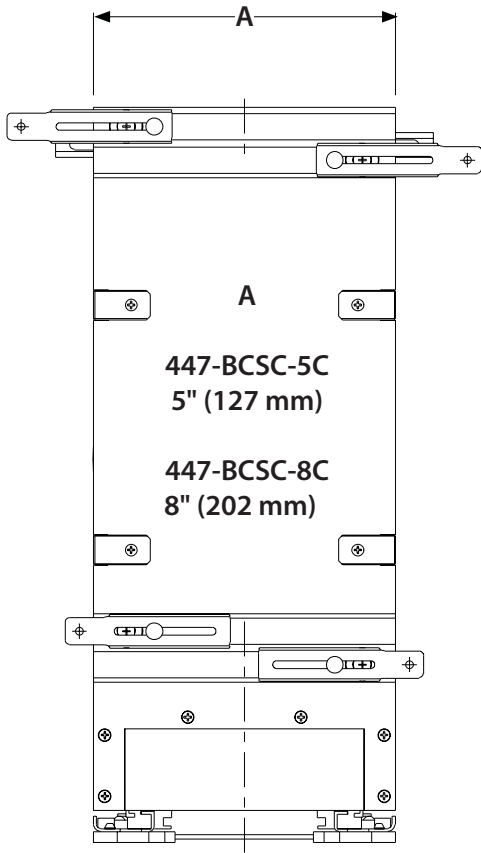
- Designed for 9" and 12" base cabinets
- Featuring full-extension, BLUMOTION soft-close slides
- Door mounting is easy with our patented door mount brackets (US Patent No. 8,388,076)
- Brackets provide 5" of adjustability
- Includes removable center divider
- Includes T-Bar divider for taller items

Carb II compliant

BASE CABINET ACCESSORIES



PRODUCT #	DESCRIPTION	DIMENSIONS	FINISH	SET PER CTN	WHT PER CARTON	SUGGESTED LIST PRICE
Foil Wrap Holder with Blum Soft-Close (Individual Pack)						
447-BCSC-5C	5" Foil Wrap Holder/Tray Divider w/ Blum Soft-Close	5½" (140 mm) W x 21½" (546 mm) D x 19½" (495 mm) H	Wood	1	20 lb.	\$285.65
447-BCSC-8C	8" Foil Wrap Holder/Tray Divider w/ Blum Soft-Close	8" (203 mm) W x 21½" (546 mm) D x 19½" (495 mm) H	Wood	1	26 lb.	\$326.55



BASE CABINET
ACCESSORIES

